

WINDROW ELIMINATOR

ROAD MAINTENANCE

FEATURES & BENEFITS:

- ① 3 x 12 double acting lift cylinder
- ② 5.70" x 8" wheels (adjustable)
- ③ Reversible strike off blade
- ④ Custom mounting



WINDROW ELIMINATOR OPTIONS

1. Moldboard Standard Models 110 (10') up to 115 (15')
2. 8" (4) High Speed Pneumatic Wheel and Tire
3. Hydraulic Swing
4. Hydraulic Wheel Adjustment

The Windrow Eliminator is a single blade, adjustable manual swing and oscillation. This unit is designed to strike off and level out the windrow of material created by a typical motor grader, making a two-pass operation into a one-pass operation.

WINDROW ELIMINATOR SPECIFICATIONS

	109	110	111	112	113	114	115
Moldboard Width	9'	10'	11'	12'	13'	14'	15'
Cutting Edge Width w/Extensions	10'	11'	12'	13'	14'	15'	16'
Moldboard Height w/Cutting Edge	11"	11"	13"	13"	13"	13"	13"
Shipping Weight	1,050 lbs.	1,100 lbs.	1,850 lbs.	1,864 lbs.	1,878 lbs.	1,892 lbs.	1,906 lbs.
Moldboard Construction	Reinforced Steel Angle- Adjustable 6" right or left of center						
Moldboard Swing	Manual Crank- no tools required						
Hydraulics	One double Acting Lift Cylinder						
Cutting Edge Construction	5/8" x 8" High Carbon Steel with standard hi-way punch						
Finish	Caterpillar Yellow or Omaha Orange						



www.bonnell.com • (800) 851-9664 • info@bonnell.com
1385 Franklin Grove Rd. • Dixon, IL 61021



AUTHORIZED DEALER:

ROAD WIDENER

ROAD MAINTENANCE

FEATURES & BENEFITS:

- Use for Main and Secondary Road Widening, Repairs or Replacements
- Attaches directly to the left or right side of your motor grader moldboard
- The durable 5/8" thick moldboard can cut depths of up to 14"
- One-pass operation



RW-29

The Road Widener from Bonnell can be used for road widening projects, new construction, repairs, or replacements on both main and secondary roads. This heavy duty tool attaches directly to your motor grader moldboard on either the right or left side without any modification required. The cored

material rolls off the end of the Road Widener, while the motor grader moldboard keeps the finish grade. The durable 5/8" thick moldboard can cut to depths of up to 14". When used in conjunction with the Bonnell Flow Gate, the Road Widener will save you time and money on your next road widening project.

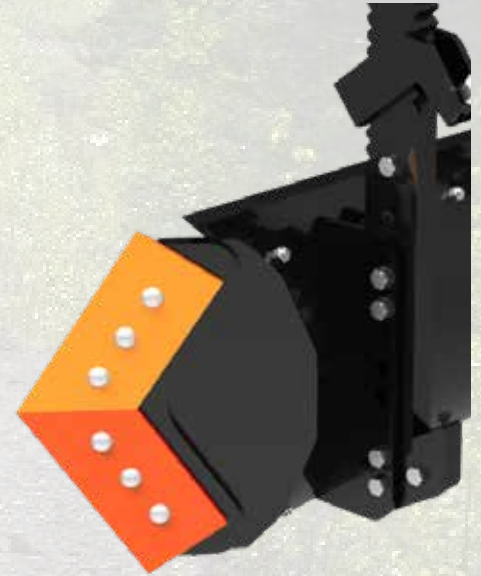
ROAD WIDENER OPTIONS

Full End Bit Cutting Edge

Available in 20-33", or 29-46" cutting widths, the Road Widener is reversible for right or left hand cutting, and the heavy duty 1-7/8" x 4" mounting arms are universally mounted with no welding required.

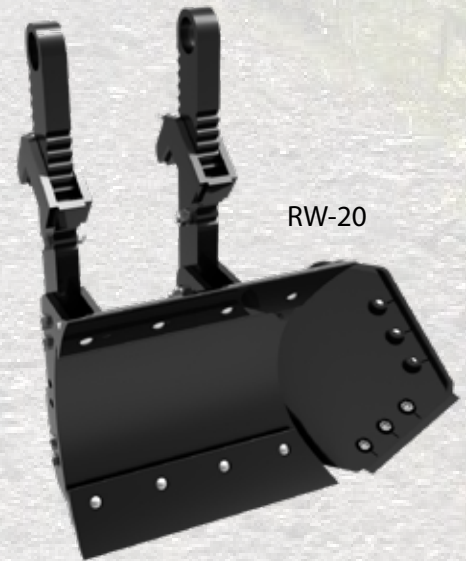


RW-29



ROAD WIDENER SPECIFICATIONS

	RW-20	RW-29
Height (Overall):	40"	40"
Width (Overall):	33"	46"
Cutting Depth(s):	6" to 14" - Adjustable on Mounting Arm	
Cutting Width @ 45°:	20"	29"
Cutting Width @ 0°:	33"	46"
Moldboard Construction.....	5/8" Plate with Double Wall Leading Edge, Reversible	
Mounting Arm Construction.....	1 7/8" x 4" with Cutting Depth Adjustments	
Cutting Edge and End Blade	Curved 3/4" x 6"	
Finish.....	Black	



RW-20



www.bonnell.com • (800) 851-9664 • info@bonnell.com
1385 Franklin Grove Rd. • Dixon, IL 61021



AUTHORIZED DEALER:

FLOW GATE

ROAD MAINTENANCE

FEATURES & BENEFITS:

- Universally mounted to the right side of the moldboard, easily removable with the pull of a pin
- More even distribution of material, and the ability to hold a straighter line
- Adjustable up to 90° (45° in or out) 3/8" moldboard, 1/2" adjusting mechanism, and a 5/8" replaceable cutting edge



Designed with quality and durability in mind, the Flow Gate is used to carry a windrow from the end of the moldboard for longer distances than with a conventional motor grader moldboard. The result is a more even distribution of material, while holding a straighter line when working the shoulder of the road or wherever even distribution of material may be required, including

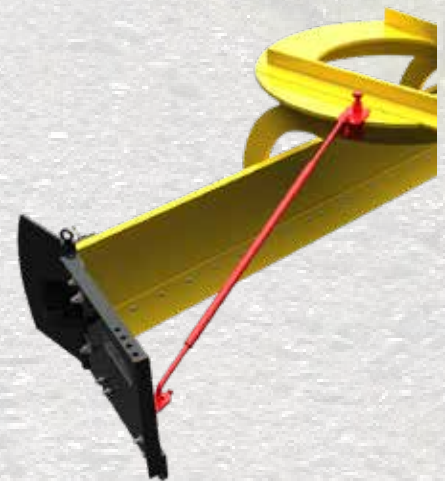
aggregate material and hot asphalt. When used in conjunction with the Bonnell Road Widener, the Flow Gate makes secondary road widening projects a breeze, and because removal is done with just the pull of a pin, your motor grader is ready to go back to work on other project's without lengthy conversion times.

FLOW GATE OPTIONS

1. Left Hand Mount
2. Linkage kit for automatic pitch adjustment

FLOW GATE SPECIFICATIONS

Moldboard Construction	3/8"
Adjusting Plate & Mounting Bracket	1/2"
Adjustment(s)	Manual via (2) 5/8" pins Up to 90° (45° in or out)
Pivot Pin / Disconnect Pin	1¼"
Diameter Cutting Edge	5/8" x 6" punched to AASHTO Standard
Finish	Black



www.bonnell.com • (800) 851-9664 • info@bonnell.com
1385 Franklin Grove Rd. • Dixon, IL 61021



AUTHORIZED DEALER: